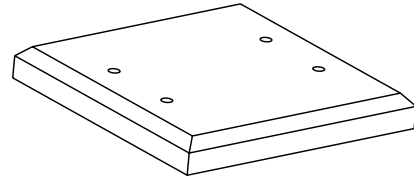
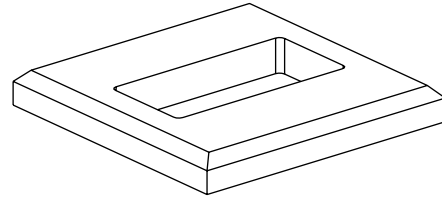


HOLECUT INSTALLATION

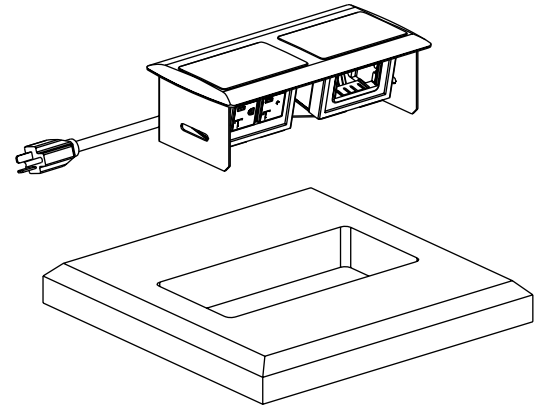
1 With template provided, use an electric drill with 1/2" [12.7mm] bit to drill corner pilot holes.



2 Use a portable jigsaw to cut along the inside edge of the template line. Test fit the enclosure to the hole cut. Carefully file opening with wood rasp if required.

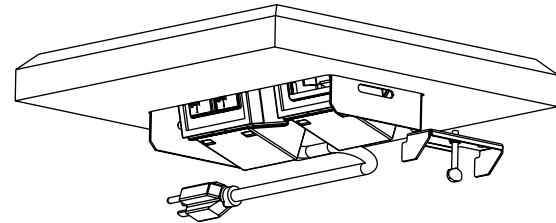


3 Connect any electrical feed and communications and drop enclosure into opening



4 From under the table surface, attach mounting brackets into corresponding slots in the enclosure body for each side. Tighten captive fastener until it comes in contact with underside of table. Tighten until snug. Do not over-tighten.

Make final terminations. Plug cord into a proper electrical receptacle. GFCI protected circuits are recommended



WIREMOLD



deQuorum™ Work Surface Flip-Up Portal – KP Series

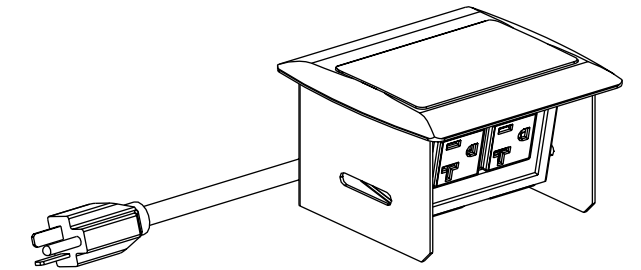
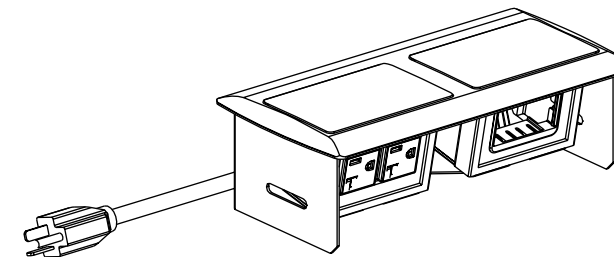
INSTALLATION INSTRUCTIONS

Installation Instruction No.: 42671R2 – Updated April 2005

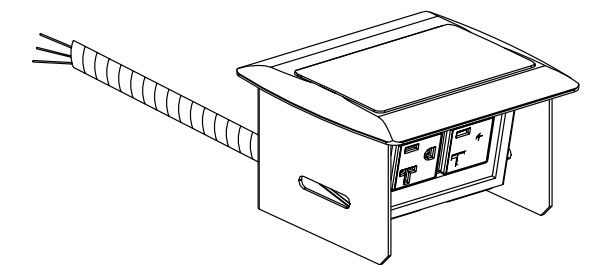
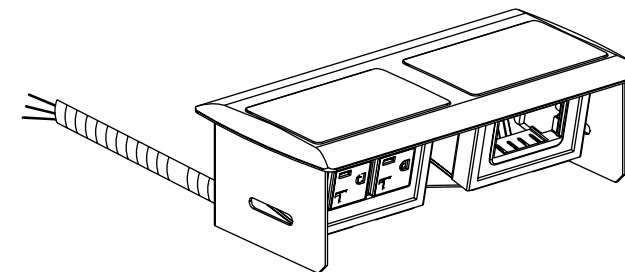
Wiremold Electrical Systems conform to and should be installed and properly grounded in compliance with requirements of the current National Electrical Code, Canadian Electrical Code or codes administered by local authorities.

All electrical products may represent possible shock or fire hazard if improperly installed or used. Wiremold electrical products are UL Listed to U.S. and Canadian safety standards, made for interior use only, and should be installed in conformance with current local and/or the National Electrical Code.

CORD-ENDED



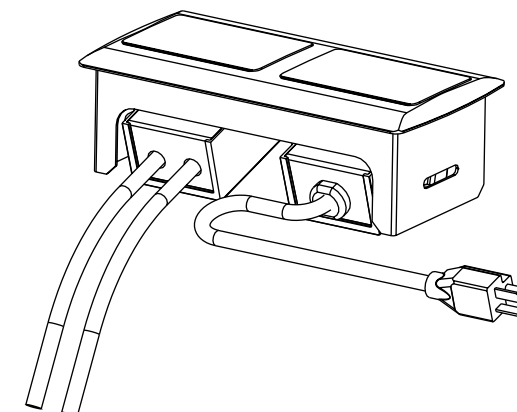
FIELD-INSTALLED



FOR USE IN DRY LOCATIONS ONLY! NOT FOR USE IN FLOORS

The provided receptacle is dust and splash resistant only. If liquid enters the unit, promptly disconnect breaker or unplug power and allow to dry thoroughly.

COMMUNICATIONS INSTALLATION



The communication compartment has two grommets openings. One communication cable can be passed through each grommet.

WIREMOLD



Wiremold / Legrand
U.S. and International:
60 Woodlawn Street • West Hartford, CT 06110
1-800-621-0049 • FAX 860-232-2062 • Outside U.S. 860-233-6251
Canada:
570 Applewood Crescent • Vaughan, Ontario L4K 4B4
1-800-723-5175 • FAX 905-738-9721

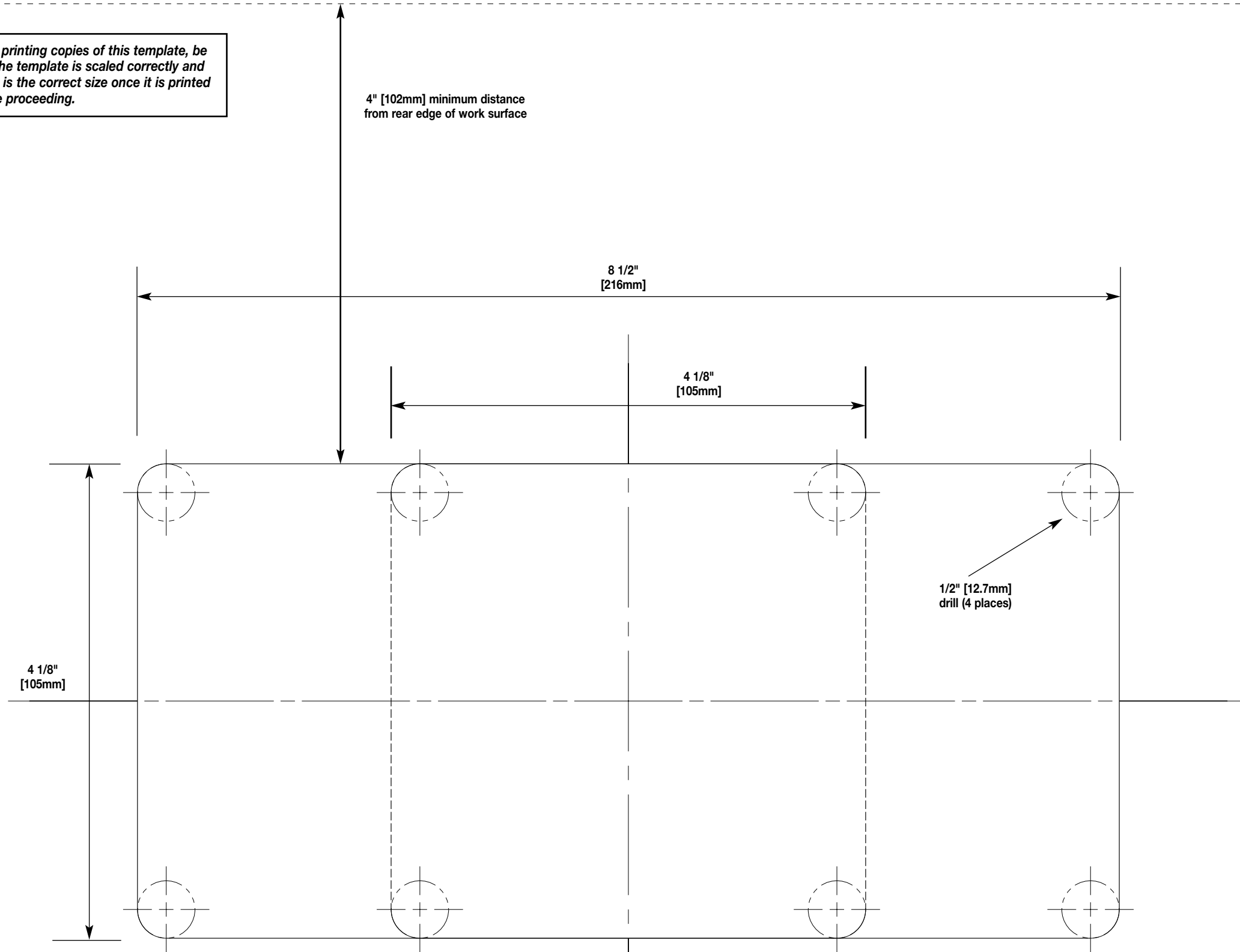


HOLECUT TEMPLATE

DO NOT COPY OR SCALE!

CAUTION: When printing copies of this template, be sure the template is scaled correctly and that it is the correct size once it is printed before proceeding.

For additional dimensional information and installation templates - please visit the CAD file section at www.wiremold.com



DO NOT COPY OR SCALE!

HOLECUT TEMPLATE