

LECTRIC I

Motorized Screen for Wall or Ceiling

The **Lectric I™**, Vutec's most popular motorized projection screen, features a durable all aluminum housing for wall or ceiling applications. Representing the best value in its class, **Lectric I™** comes standard with value-added features, including Vutec's EMS™ EZ-Mounting System, for wall or ceiling applications.

Providing users with maximum versatility, **Lectric I™** also interfaces with low voltage relays, IR, RF and RS-232 remote controls. Available in 4:3, 16:9, 2.35:1 and 1:1 A/V formats in five different screen materials.

FEATURES

- Surface mount for wall or ceiling
- Vutec EMS™ (EZ-Mounting System)
- Aluminum housing with choice of black or white finishes
- Quiet motor-in-roller design
- Ribbed aluminum roller featuring Vutec's FRS™ (Fabric Relief Step)
- Standard 12" black leader
- Interfaces with low voltage relays, IR and RF remote controls
- Requires hard wired installation
- Custom sizes available
- Black liner for SoundScreen available
- 16:10, 2.40:1 formats and silent motor available
- In-ceiling trim kit available up to 144" wide

SURFACES

- Matte White
- Vu-Flex Pro
- Twin-Vu
- SoundScreen
- GreyDove SoundScreen

TECHNICAL

Diagonal	Viewing Area (nominal)	Housing Width	Shipping (nominal)
----------	------------------------	---------------	--------------------

1:1 A/V Format

n/a	50" x 50"	58.25"	38 lbs.
n/a	60" x 60"	68.25"	40 lbs.
n/a	70" x 70"	78.25"	55 lbs.
n/a	84" x 84"	92.25"	58 lbs.
n/a	96" x 96"	104.25"	60 lbs.

4:3 Video Format

72"	43.25" x 57.5"	67.75"	43 lbs.
78"	46.75" x 62.25"	72.5"	45 lbs.
84"	50.5" x 67.25"	77.5"	48 lbs.
100"	60" x 80"	90.25"	55 lbs.
120"	72" x 96"	106.25"	65 lbs.

144"	86.25" x 115.25"	125.5"	140 lbs. (s)
------	------------------	--------	--------------

150"	90" x 120"	130.25"	145 lbs. (s)
------	------------	---------	--------------

⁽¹⁾⁽²⁾ 160"	96" x 128"	138.25"	150 lbs. (s)
------------------------	------------	---------	--------------

⁽¹⁾⁽²⁾ 180"	108" x 144"	154.25"	210 lbs. (s)
------------------------	-------------	---------	--------------

16:9 HDTV Format

92"	45" x 80"	90.25"	55 lbs
-----	-----------	--------	--------

103"	50.5" x 89.75"	100"	60 lbs.
------	----------------	------	---------

110"	54" x 96"	106.25"	65 lbs.
------	-----------	---------	---------

123"	60" x 107"	117.25"	110 lbs. (s)
------	------------	---------	--------------

133"	65" x 116"	126.25"	120 lbs. (s)
------	------------	---------	--------------

⁽¹⁾ 147"	72" x 128"	138.25"	130 lbs. (s)
---------------------	------------	---------	--------------

2.35:1 Widescreen Format

115"	45" x 106"	116.25"	110 lbs. (s)
------	------------	---------	--------------

129"	50.5" x 118.75"	129"	145 lbs. (s)
------	-----------------	------	--------------

⁽¹⁾ 138"	54" x 127"	137.25"	150 lbs. (s)
---------------------	------------	---------	--------------

⁽¹⁾ 153"	60" x 141"	151.25"	200 lbs. (s)
---------------------	------------	---------	--------------

⁽¹⁾ Not available with 110V silent motor.

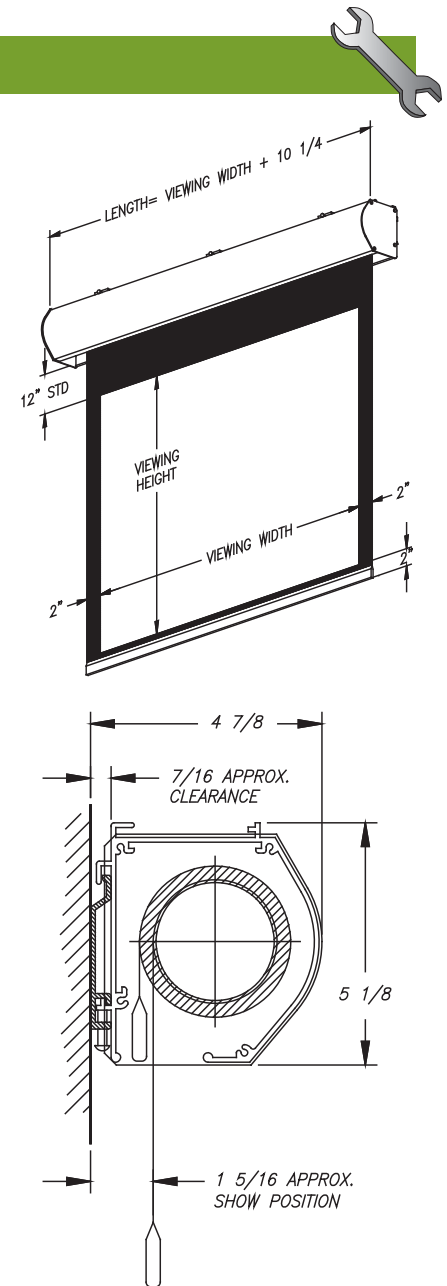
⁽²⁾ Not available in GreyDove SoundScreen.

Custom sizes, additional leader or perforated leader are available.

A/V format screens come with 1" side borders and black leader.

A/V housing size is viewing area width plus 8.25".

(s) item is shipped on a skid



The Projection Screen Technology Leader

