

## Quick Start Installation Manual



111-304C

## Installation DOs and DON'Ts

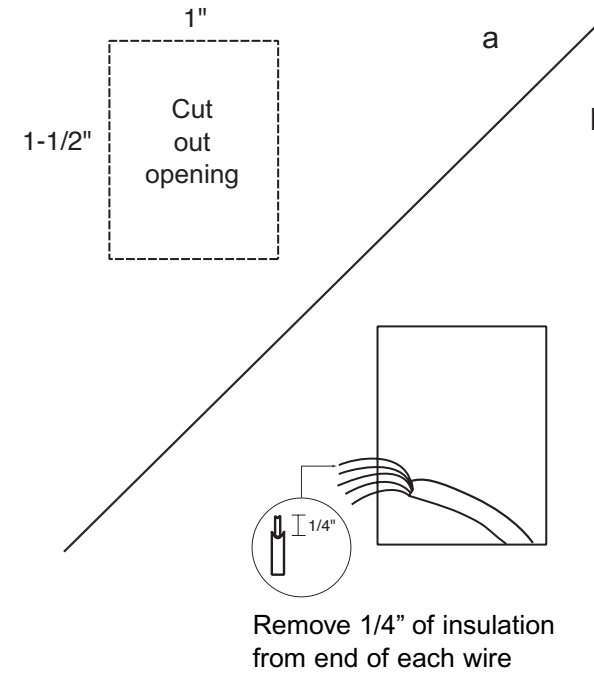
### DO

- Shut off all power to system before installing.
- Read entire manual before installing.
- Make sure that all wiring conforms to national and local codes.

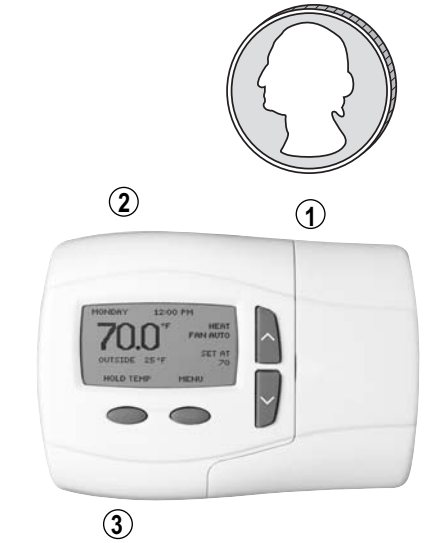
### DO NOT

- Install on voltages greater than 30 VAC.
- Short jumper across terminals on the gas valve or at the system control.
- Connect ground to any terminal in this unit.
- Install on outside walls or in direct sunlight.

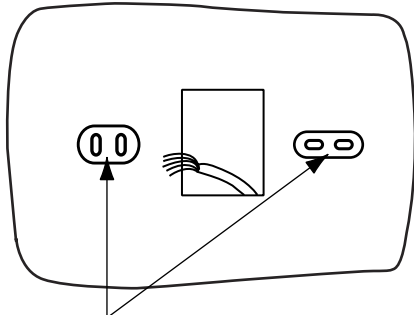
① Select location for installation.



② To open battery door, slide it to the right. Open the case with a coin by placing it in the slot and gently prying forward at all three locations.

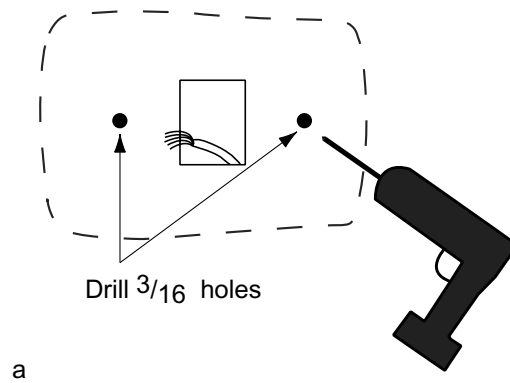


③ Mark mounting hole locations on wall.



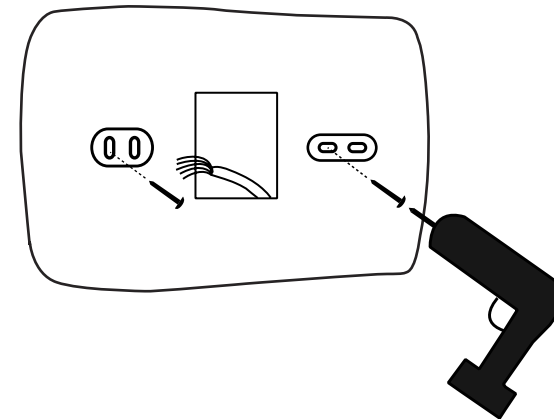
Mark mounting hole locations on wall using unit base as template.

④ Drill 3/16" holes at marked locations on wall. Insert plastic anchors into holes.

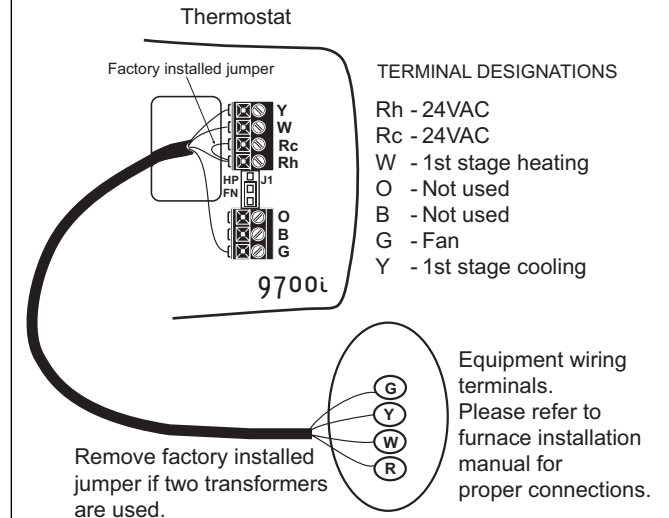


Press anchors into holes until flush.

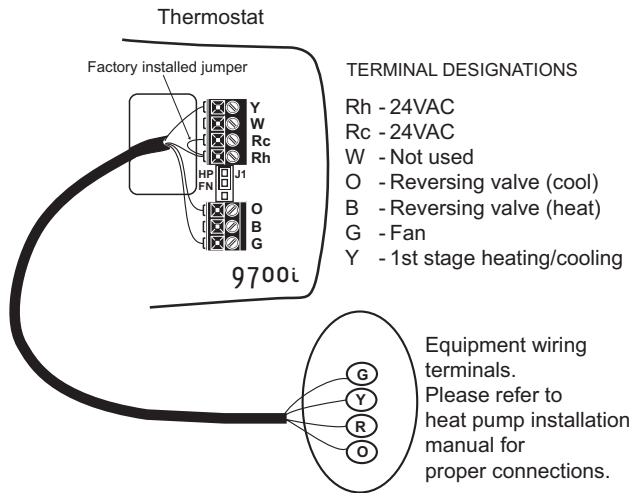
⑤ Align unit base over plastic anchors embedded in wall and secure with the screws provided.



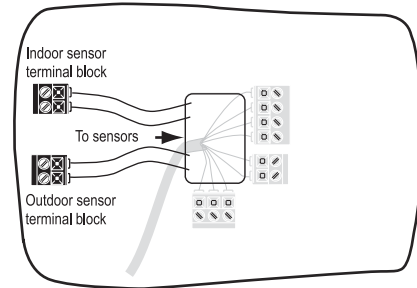
⑥ Connect wiring between unit and furnace. For Model 9700i (1H/1C gas/electric heating and cooling applications).



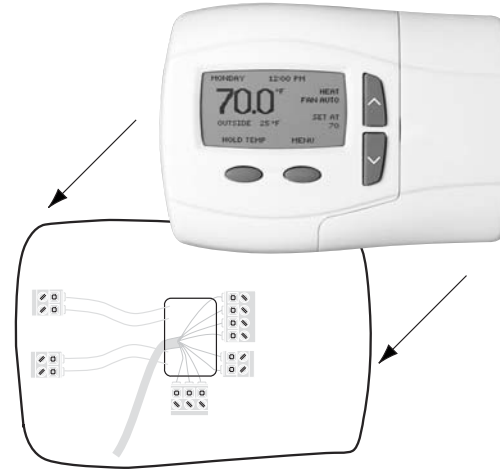
- 7 Connect wiring between unit and heat pump. For 9700i (single stage heat pump applications): Wire as shown and move jumper J1 to the HP position (top two pins).



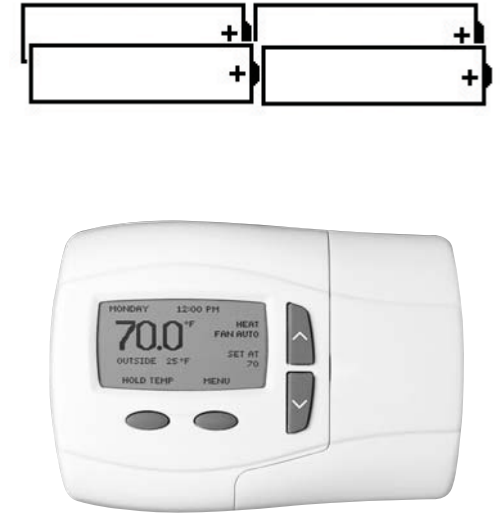
- 8 Connect wiring between the thermostat and the indoor sensor (9020i) and the outdoor sensor (9025i), if used. Use twisted pair wiring (22AWG minimum) with a maximum length of 300 feet (or 100m).



- 9 Replace cover on thermostat.



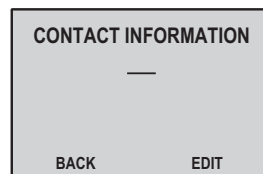
- 10 Insert 4 AA alkaline batteries. Make sure to follow proper polarity.



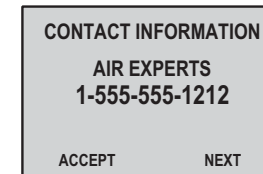
- 11 Proceed with programming per instructions on the display or in the user's manual.



- 12 **Set Your Name**
- To set your name and phone number into the thermostat press MENU, select INSTALLER SETTINGS, and CONTACT INFORMATION The screen at the bottom left should appear.
- To enter your name press EDIT. Use the UP or DOWN button to scroll through the characters. (DOWN gets you to the letters faster.) After each letter press NEXT. When you are done entering your name, press ACCEPT.



- 13 **Set Your Phone Number**
- Now enter your phone number. Use the UP and DOWN arrow to select the first number. Press NEXT. When you have completed entering your phone number, press ACCEPT.
- The screen will return to the INSTALLER SETTINGS. Finish setting the thermostat for the application.



- Recycling Thermostat**
- If this thermostat REPLACES a thermostat that contains mercury, DO NOT discard the old thermostat in the regular trash. Mercury is harmful to humans and the environment. For this reason, do not open, break, or crush the mercury cell. If mercury leaks from a damaged cell, DO NOT touch or handle mercury with bare hands. Use protective, non-absorbent gloves to place mercury into a sealable container. Fill the container with sand or another absorbent material and seal the container completely.
- Return the mercury or mercury products, in a sealed container, to Invensys Climate Controls or a local recycling center for proper disposal. If you have any questions, call Robertshaw technical support at 1-800-445-8299.