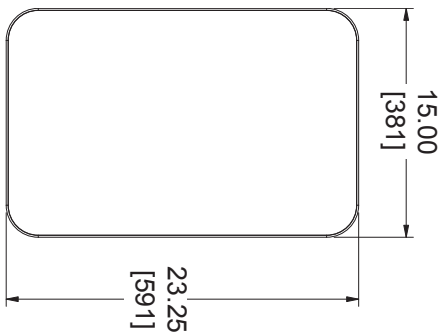


CPU Mount basic dimensions

Gasketed plexi front doors and gasketed laminated rear doors control noise and open 95° on concealed hinges. The rear door features a built-in ultra low-noise fan for cooling plus removable filter kit, while a brush grommet at the bottom allows cable exit while maintaining a seal for noise and air flow

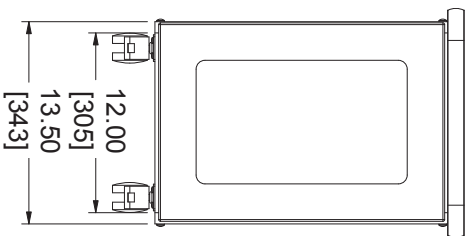
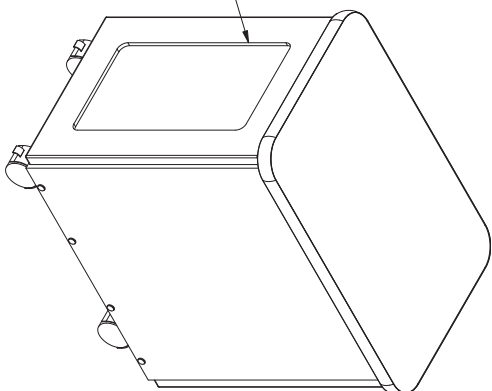
Both front and rear doors can be hinged on either left or right side



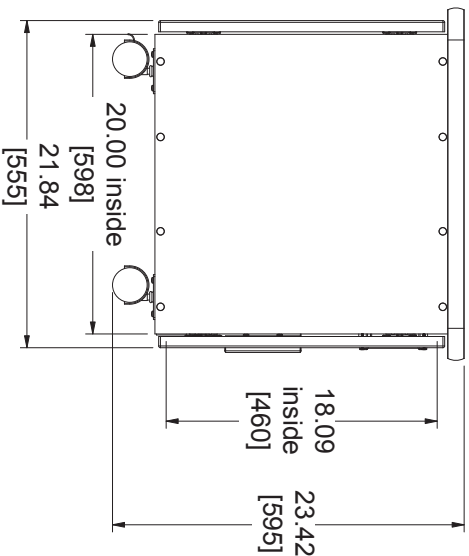
TOP VIEW

| PART # | DESCRIPTION |
|----------|-----------------------------------|
| LD-0CPU* | Under-desk CPU isolation rack |
| LD-CPU | Articulating under-desk CPU mount |

* When ordering suffix part number with desired color (DC = Dark Cherry, HM = Honey Maple, PS = Peppercorstone)

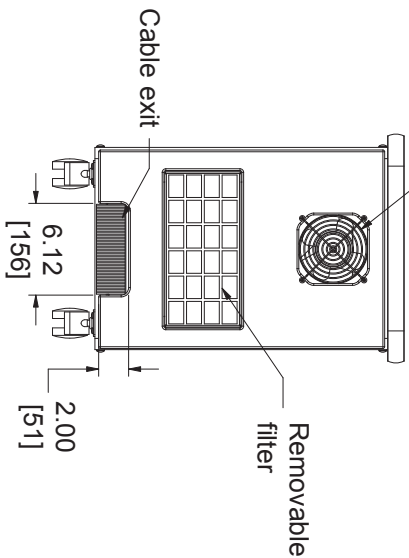


FRONT VIEW



SIDE VIEW

Fan, 55 cfm, 115V
5.5 watt, 28 dBA



All dimensions in inches [Bracketed dimensions in millimeters]

