

Specifications for Hard-Wired Vertical Power Strips



PD-2X615

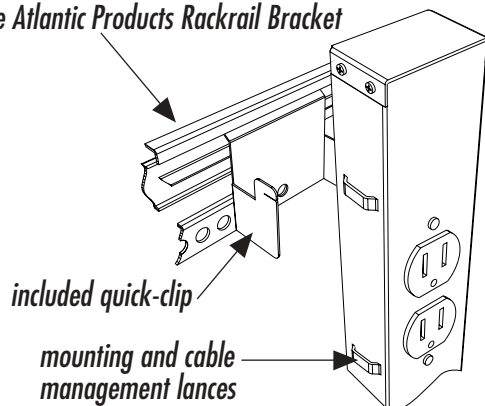
PART #	NUMBER OF OUTLETS	CIRCUITS	NEMA OUTLET TYPE	OUTLETS ACCOMMODATE (NEMA)	WIRE GAUGE	TERMINATION	ISOLATED GROUND	CIRCUIT ARRANGEMENT
PD-620J-IG	6 (3 DUPLEX)	(1) 20 AMP	5-20R	5-15P & 5-20P	12	J-BOX	YES	1-1-1-1-1-1
PD-1020J-IG	10 (5 DUPLEX)	(1) 20 AMP	5-20R	5-15P & 5-20P	12	J-BOX	YES	1-1-1-1-1-1-1-1-1-1
PD-1220J	12 (6 DUPLEX)	(1) 20 AMP	5-20R	5-15P & 5-20P	12	J-BOX	NO	1-1-1-1-1-1-1-1-1-1-1-1
PD-1220J-IG	12 (6 DUPLEX)	(1) 20 AMP	5-20R	5-15P & 5-20P	12	J-BOX	YES	1-1-1-1-1-1-1-1-1-1-1-1
PD-2X620J	12 (6 DUPLEX)	(2) 20 AMP	5-20R	5-15P & 5-20P	12	J-BOX	NO	1-1-2-2-1-1-2-2-1-1-2-2
PD-2X615	12 (6 DUPLEX)	(2) 15 AMP	5-15R	5-15P	14	3/8" FLEX TAIL	NO	1-1-2-2-1-1-2-2-1-1-2-2
PD-1215	12 (6 DUPLEX)	(1) 15 AMP	5-15R	5-15P	14	3/8" FLEX TAIL	NO	1-1-1-1-1-1-1-1-1-1-1-1
PD-1215J-S	12 (6 DUPLEX)	(1) 15 AMP	5-15R	5-15P	14	J-BOX	NO	1-1-1-1-1-1-1-1-1-1-1-1

Additional Specifications for all Products Listed Above:

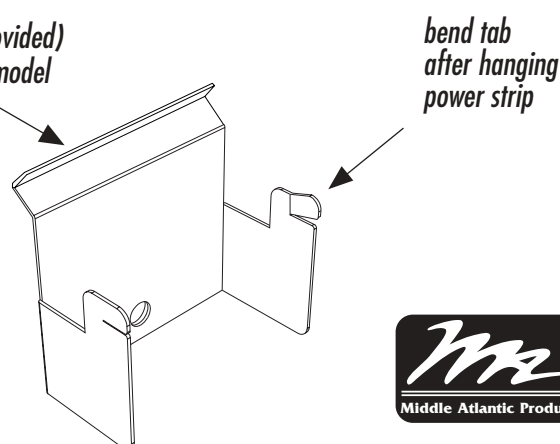
- UL standard 5, file #E174334
- Flex tails shall be flexible electrical metallic tubing, 3 feet long with a minimum of 6 inches of conductor extending from end. Connectors shall be included.
- Power strips with isolated ground shall have an insulated ground conductor connected to all outlet ground terminals and a separate ground conductor connected to chassis ground stud. Both ground conductors shall extend into J-Box. Isolated ground outlets shall be orange in color.
- J-Boxes (junction box) shall be 4" x 4" x 1-1/2" deep. Cover is included.
- For 2 circuit strips:
First circuit outlet color shall be white, second circuit outlet color shall be ivory.
- All conductors extending into J-Boxes shall be minimum of 6" long from point of entry into box.
- No circuit protection is provided with hard-wired power strips. They require branch circuit protection.
- Finish shall be black power coat.
- Chassis shall be 16-gauge steel.
- Mounting: quick-clip (see details), 2 supplied per strip.
- Use indoors in dry locations only.

Included Mounting Method

Middle Atlantic Products Rackrail Bracket



*quick-clip (2 provided)
for hard-wired model
strips as shown*





PD-1415C

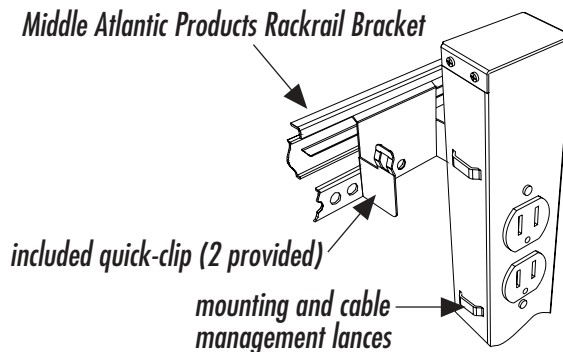
Specifications for Corded Vertical Power Strips

PART #	NUMBER OF OUTLETS	CIRCUITS	NEMA OUTLET TYPE	OUTLETS ACCOMMODATE (NEMA)	WIRE GAUGE	CIRCUIT PROTECTION	SURGE AND EMI FILTER	UL STANDARD	NEMA PLUG TYPE
PD-615C	6 (3 DUPLEX)	(1) 15 AMP	5-15R	5-15P	14	15 AMP CIRCUIT BREAKER	YES	1363 & 1449	5-15P
PD-615C-NS	6 (3 DUPLEX)	(1) 15 AMP	5-15R	5-15P	14	15 AMP CIRCUIT BREAKER	NONE	1363	5-15P
PD-620C-NS	6 (3 DUPLEX)	(1) 20 AMP	5-20R	5-15P & 5-20P	12	20 AMP CIRCUIT BREAKER	NONE	1363	5-20P
PD-1015C	10 (5 DUPLEX)	(1) 15 AMP	5-15R	5-15P	14	15 AMP CIRCUIT BREAKER	YES	1363 & 1449	5-15P
PD-1015C-NS	10 (5 DUPLEX)	(1) 15 AMP	5-15R	5-15P	14	15 AMP CIRCUIT BREAKER	NONE	1363	5-15P
PD-1020C-NS	10 (5 DUPLEX)	(1) 20 AMP	5-20R	5-15P & 5-20P	12	20 AMP CIRCUIT BREAKER	NONE	1363	5-20P
PD-1220C-NS	12 (6 DUPLEX)	(1) 20 AMP	5-20R	5-15P & 5-20P	12	20 AMP CIRCUIT BREAKER	NONE	1363	5-20P
PD-1415C	14 (7 DUPLEX)	(1) 15 AMP	5-15R	5-15P	14	15 AMP CIRCUIT BREAKER	YES	1363 & 1449	5-15P
PD-1415C-NS	14 (7 DUPLEX)	(1) 15 AMP	5-15R	5-15P	14	15 AMP CIRCUIT BREAKER	NONE	1363	5-15P

Additional Specifications for all Products Listed Above:

- UL file #E194316
- Cord length shall be 9 feet
- Finish shall be black powder coat
- Chassis shall be 16-gauge steel
- Outlet color shall be white
- For use indoors in dry locations only
- Quick-clip mounting (see details)

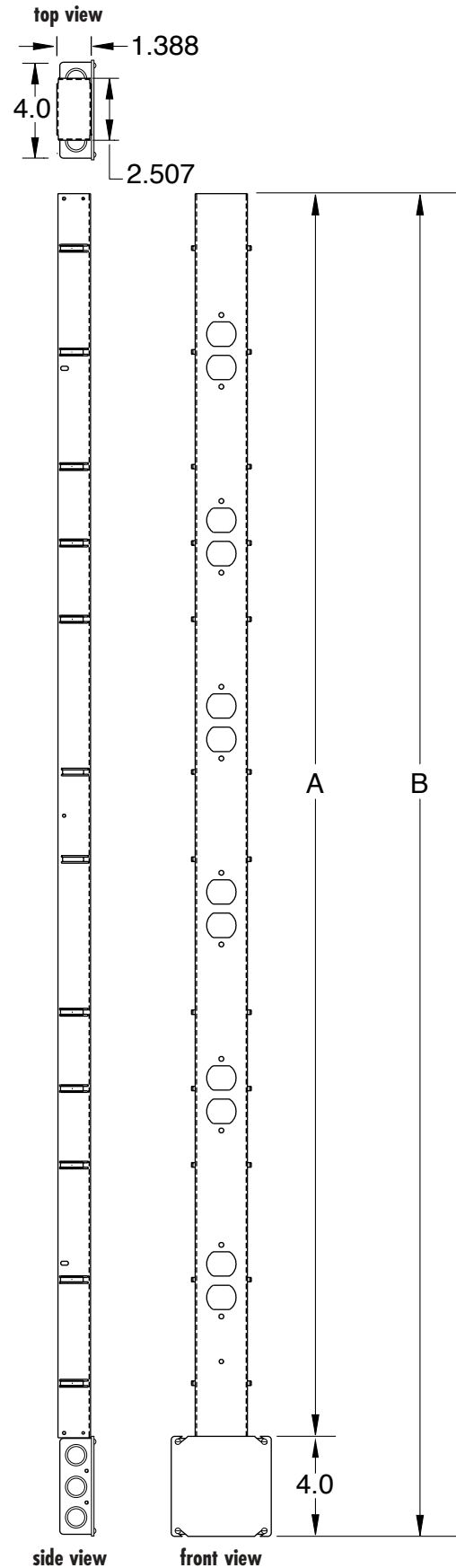
Included Mounting Method



- Nominal line voltage: 120 VAC
- Maximum allowable voltage: 150 VAC (RMS)
 - Maximum continuous voltage differential applied between line and neutral, line and ground, or neutral and ground
 - Maximum multiple impulse current derated per specs
- Three protection modes: Line to neutral, line to ground, and neutral to ground
- Peak impulse current (8/20 micro second.):
 - 10,000 amps, one time
 - 7,000 amps, 2 times within 5 minutes
- 3,000 amps, ten times within 2 minutes
- Maximum peak impulse current pulse as defined between line and neutral, line and ground, or neutral and ground.
- Maximum multiple impulse current derated
- Maximum clamping voltage: 395 volts@100 amps
- Response time: Instantaneous (Less than 1 nanosecond)
- EMI/ RF Suppression: More than 20 db
 - Calculated line to neutral, 100 KHz to 1 MHz suppression based upon nominal impedance



Vertical Power Strip basic dimensions



PART #	A LENGTH (FOR MODELS INCLUDING J-BOX)	B LENGTH (FOR MODELS INCLUDING J-BOX)
PD-615C-NS	26.5	-
PD-620C-NS	26.5	-
PD-615C	26.5	-
PD-620J-IG	-	30.5
PD-1015C	40	-
PD-1015C-NS	40	-
PD-1020J-IG	-	44
PD-1020C-NS	40	-
PD-1215	57	-
PD-1215J-S	-	30.5
PD-1220C-NS	57	-
PD-1415C	57	-
PD-1415C-NS	57	-
PD-2X615	57	-
PD-2X620J	-	61
PD-1220J	-	61
PD-2X620J	-	61