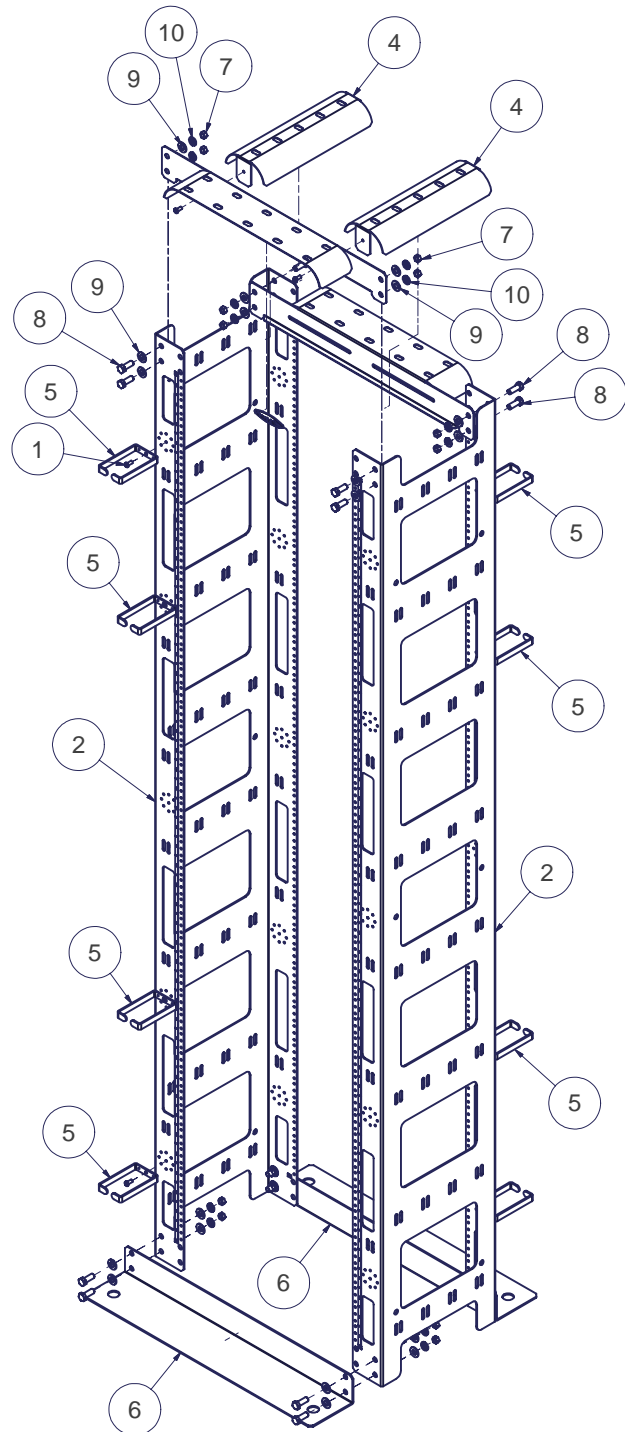


Bill of Material		
ITEM	QTY	DESCRIPTION
1	12	SCREW, 12-24x1/2" PH PAN TYPE 23 BLACK OXIDE/WAX RoHS
2	2	UPRIGHT CHANNEL
3	2	CROSS BRACE, WATERFALL EDGE
4	2	CENTER WATERFALL BRACKET, ADJUSTABLE
5	8	CABLE RING
6	2	FLOOR MOUNTING BRACKET
7	16	NUT, 3/8"-16, HEX, STEEL, BLACK
8	16	BOLT, 3/8"-16 X 1" HEX HD, GR 2, STEEL, BLACK
9	32	WASHER, 3/8" FLAT, STEEL, BLACK
10	16	WASHER, 3/8" SPLIT LOCK, STEEL, BLACK

**TOOLS REQUIRED:**  
 (2) 9/16" Sockets or Wrenches,  
 Level or Carpenter Square



**STEP-1)**

**INSTALLING FRONT WATERFALL CROSSBRACE & FLOOR BRACKET.**

- A. Lay Upright Channels on edge and open sides of the channel face each other.
- B. Align thru holes in Cross Brace Waterfall Edge behind the top thru holes in the Upright Channels. Install (6) 3/8" Hex Head Bolts, (12) 3/8" Flat Washers, (6) 3/8" Lock Washers, (6) 3/8" Hex Nuts. (finger tight).
- C. Align thru holes in Floor Mounting Bracket in front of the bottom thru holes in the Upright Channels. Install same amount of hardware. (finger tight).

**STEP-2)**

**INSTALLING REAR CROSS BRACE & FLOOR BRACKET.**

- A. Align thru holes in Floor Mounting Bracket in front of the bottom thru holes in the Upright Channels. Install same amount of hardware. (finger tight).
- B. Install Center Waterfall Brackets (2) to the Cross Brace with (1) #12-24 Pan Head Screw per bracket thru the slots in the Cross Brace. **MUST BE INSTALLED PRIOR TO INSTALLING REAR CROSS BRACE ONTO UPRIGHT CHANNELS.**
- C. Align thru holes in Cross Brace behind the top thru holes in the Upright Channels. Install (6) 3/8" Hex Head Bolts, (12) 3/8" Flat Washers, (6) 3/8" Lock Washers, (6) 3/8" Hex Nuts. (finger tight).

**STEP-3)**

**FINAL TIGHTENING.**

- A. Stand rack upright. Square unit using Level or Carpenter Square. Tighten all bolts using 9/16" sockets and or wrenches.

**STEP-4)**

**SECURE RACK TO FLOOR.**

- A. All racks should be bolted to the floor, or to an equally stabilizing & secure surface prior to any equipment installation.

**STEP-5)**

**INSTALLING CABLE RINGS**

- A. Align the pins on the rear of the Cable Rings, in any of the 16 mounting locations per Upright Channel and at any 45 degree increment of rotation using (1) #12-24 Pan Head Screw in the center.

INTERPRET DRAWING PER ASME Y14.5M-1994
DIMENSIONAL LIMITS APPLY AFTER APPLICATION OF FINISH
DRAWING NOT TO SCALE
TOLERANCE UNLESS OTHERWISE NOTED:
ANGULAR +/- 1'
.XXXX +/- .010
.XXX +/- .015
.XX +/- .030
.X FOR REF. ONLY

**NOTICE:**  
 Use of this document is subject to a confidentiality and nondisclosure agreement with Great Lakes Case & Cabinet Co., Inc. (GLCC) and may not be reproduced, disclosed or utilized in whole or in part without prior written authorization from GLCC.

PART NUMBER: <b>ICCMR45U</b>	
QTY PER UNIT:	1
MATERIAL TYPE:	-
MATERIAL GAUGE:	-
FINISH:	-
DRAWN	DATE
JL	9/20/2007
CHECKED & APP.	DATE
WSS	9-20-07

TITLE <b>INSTRUCTION SHEET FOR THE CMR45U</b>	
GREAT LAKES CASE & CABINET CO., INC.	
DWG NO:	REV
<b>1005977</b>	<b>0</b>
SHEET: 2 OF 2	



UNLESS OTHERWISE SPECIFIED  
 ALL DIMENSIONS ARE IN INCHES